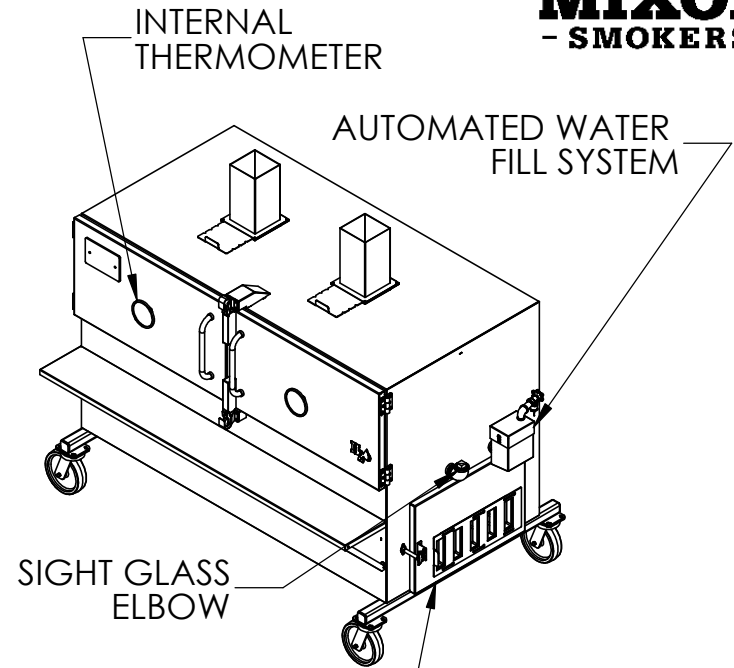
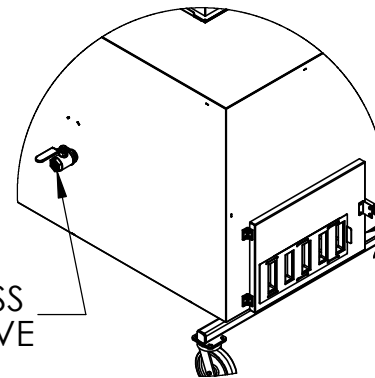


2 NICKEL CHROME COOK RACKS INCLUDED, EXPANDABLE TO 4 RACKS



REAR VIEW



DUAL FIREBOX DOORS WITH STAINLESS STEEL SLIDE DAMPERS

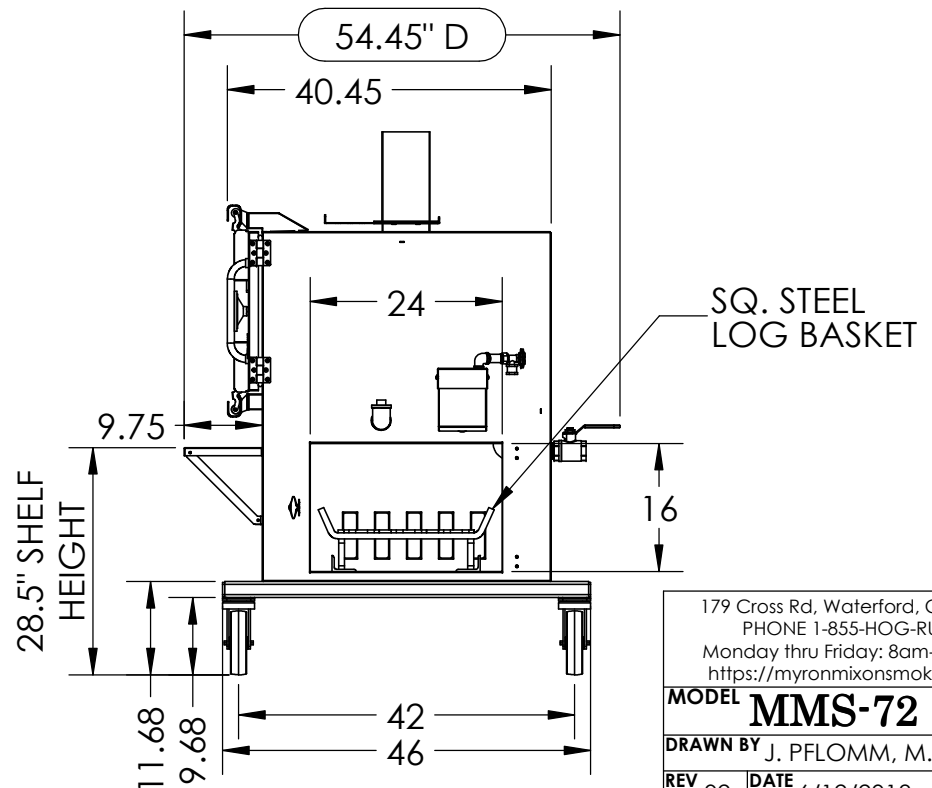
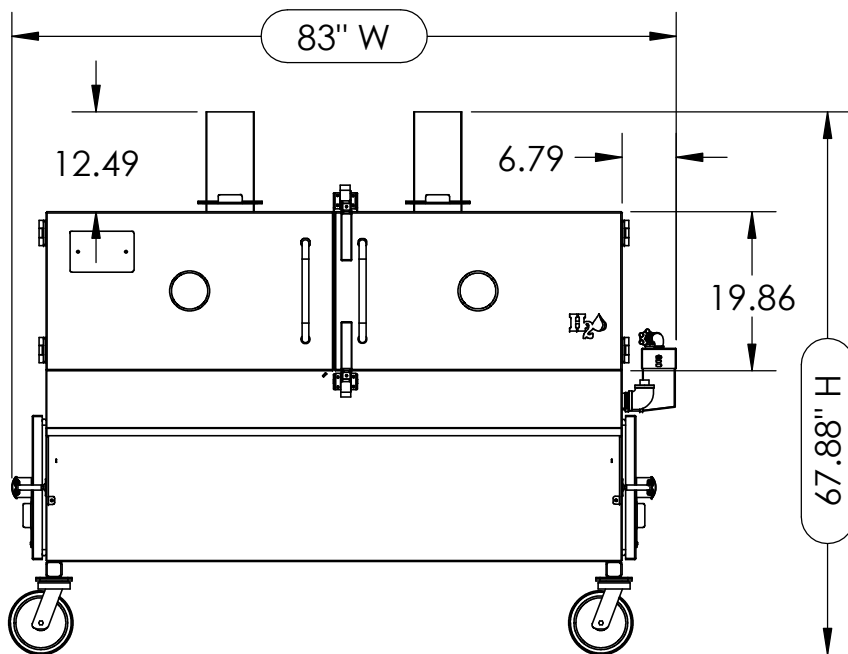
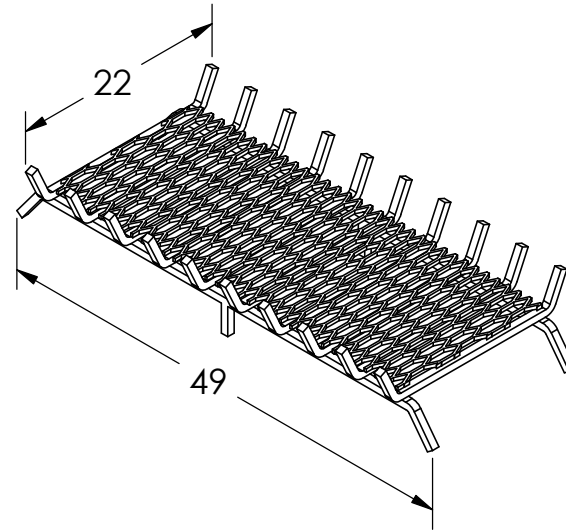
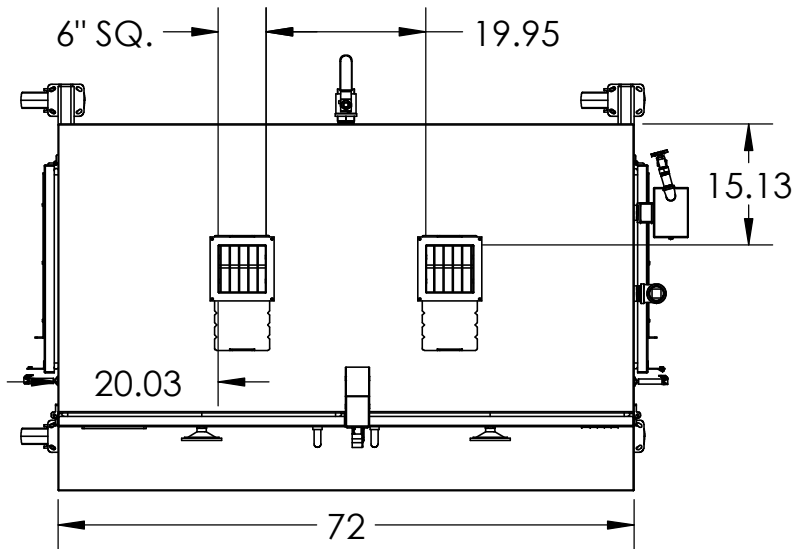
1. HANDCRAFTED IN THE USA
2. 100% INSULATED
3. 100% WELDED
4. HIGH-TEMPERATURE DURABLE POWDER COAT FINISH
5. OPTIMIZED SHAPE TO MAXIMIZE CAPACITY

179 Cross Rd. Waterford, CT. 06385
PHONE 1-855-HOG-RULES
Monday thru Friday: 8am-5pm EST
<https://myronmixonsmokers.com>

MODEL **MMS-72**

DRAWN BY J. PFLOMM, M. WHITTLE

REV 02	DATE 6/12/2018	SHEET 1
--------	----------------	---------



179 Cross Rd. Waterford, CT. 06385
 PHONE 1-855-HOG-RULES
 Monday thru Friday: 8am-5pm EST
<https://myronmixonsmokers.com>

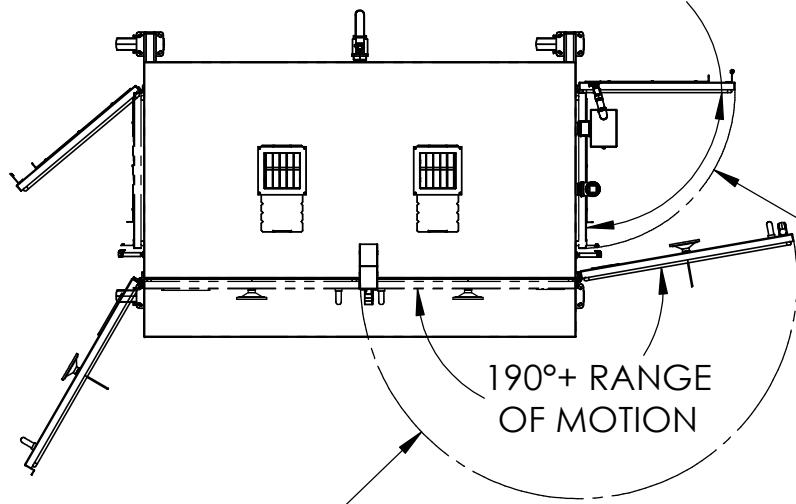
MODEL **MMS-72**

DRAWN BY J. PFLOMM, M. WHITTLE

REV 02 DATE 6/12/2018 SHEET 2

MYRON MIXON - SMOKERS -

90° RANGE
OF MOTION

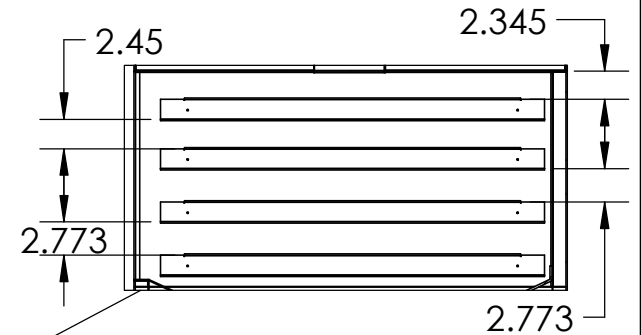
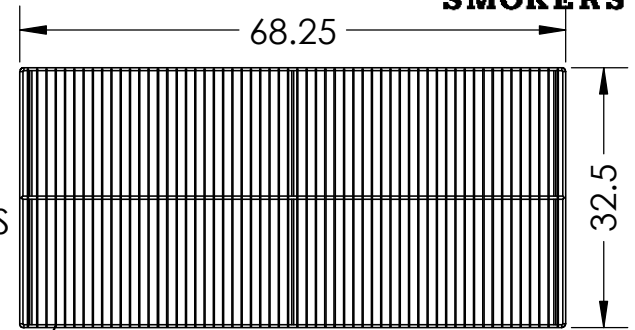


26.25" FIREBOX
DOOR SWING RADIUS

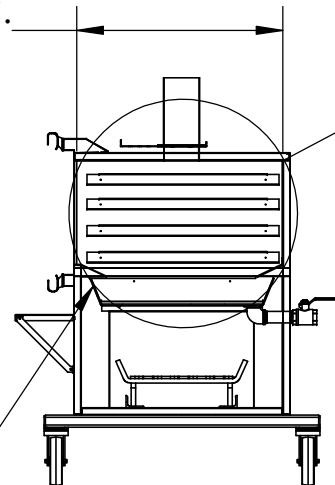
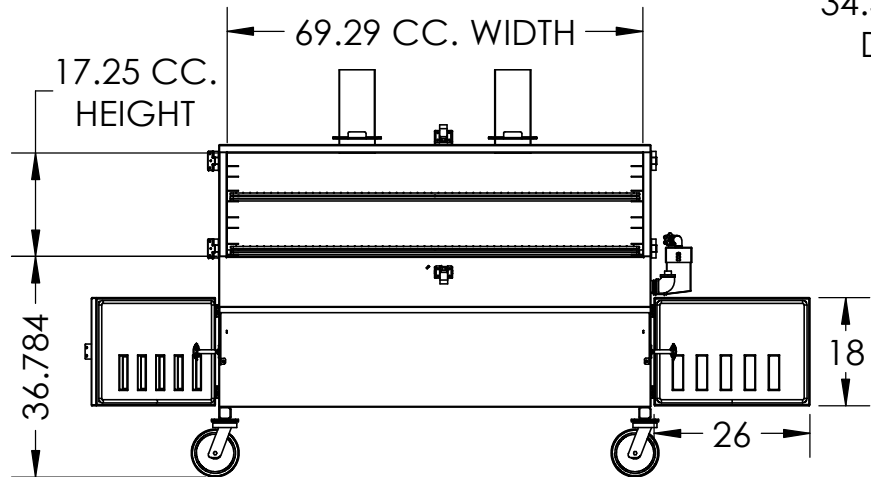
190°+ RANGE
OF MOTION

36.5" COOK DOOR
SWING RADIUS

RACK AREA:
2218 IN² PER RACK
4436 IN² STOCK (2)
8872 IN² MAX (4)



34.355 CC.
DEPTH



INTEGRATED WATER PAN
LOCATED BETWEEN THE
COOK CHAMBER & FIREBOX

179 Cross Rd. Waterford, CT. 06385
PHONE 1-855-HOG-RULES
Monday thru Friday: 8am-5pm EST
<https://myronmixonsmokers.com>

MODEL **MMS-72**

DRAWN BY J. PFLOMM, M. WHITTLE

REV 02 DATE 6/12/2018 SHEET 3